
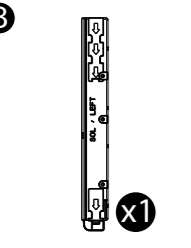
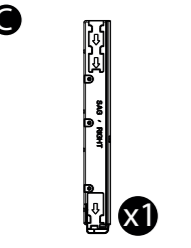
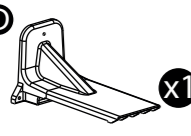


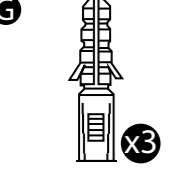
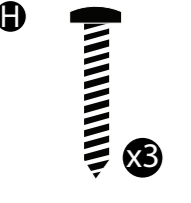
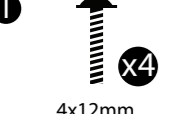
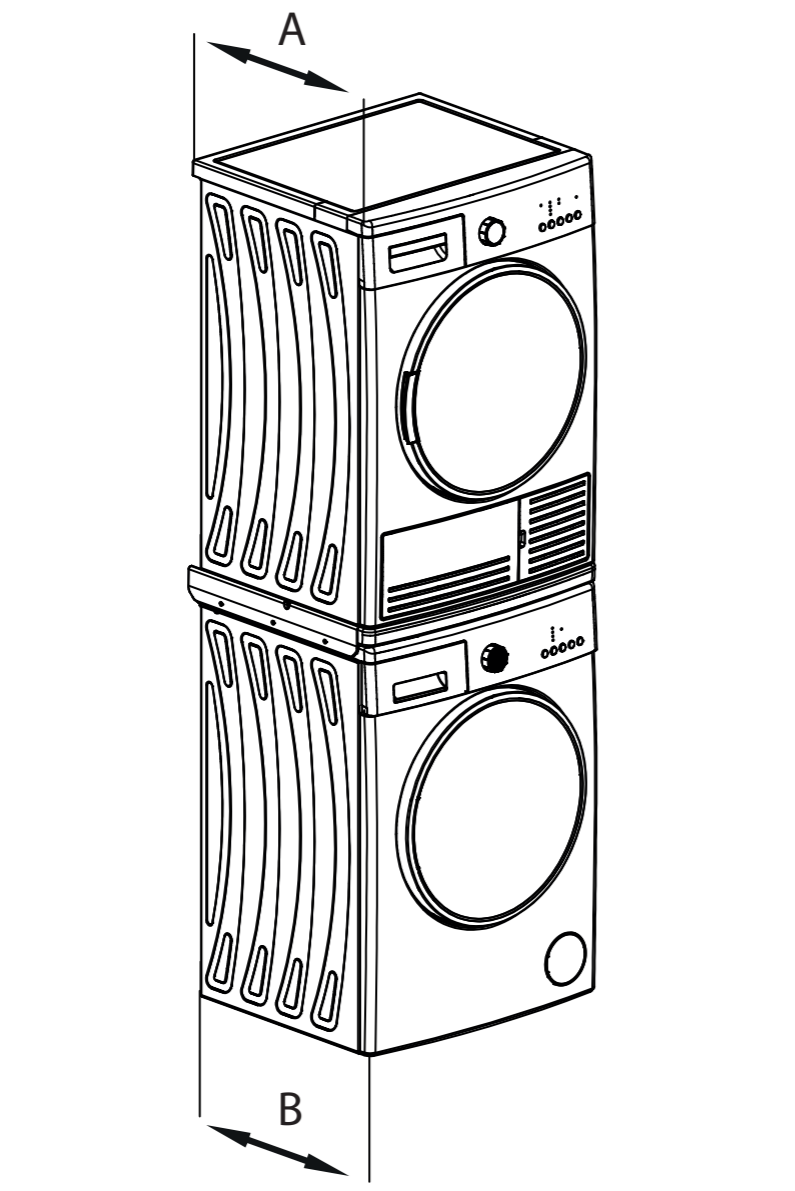
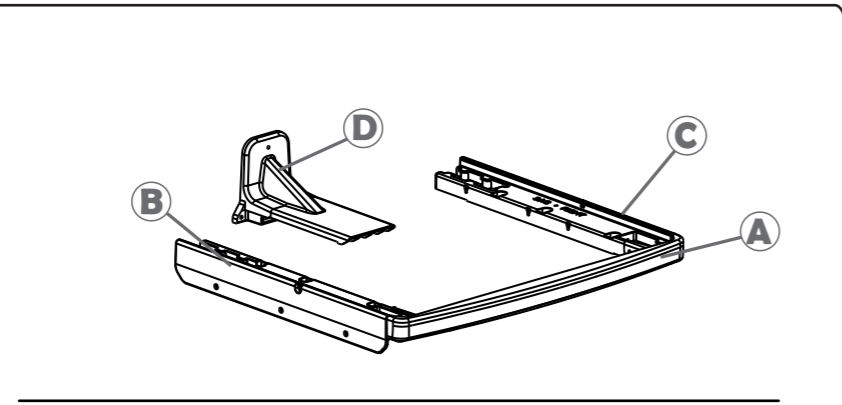


1

- A  x1
- B  x1
- C  x1
- D  x1
- E  x12
- F  x4  
3.5X9mm
- G  x3
- H  x3
- I  x4  
4x12mm



A	B
53 cm	50-100 cm
56 cm	50-100 cm
61 cm	53-100 cm
64 cm	56-100 cm

1. Attach brackets B and C to the top panel.
2. Attach bracket A to the top panel.
3. Attach bracket D to the top panel.
4. Place the top panel on the washer-dryer unit.
5. Push the top panel down onto the unit.
6. Align the top panel with the unit.
7. Tighten screws E to secure the top panel.
8. Tighten screws G to secure the top panel.
9. Tighten screws H to secure the top panel.
10. Adjust the leveling feet on the bottom of the unit.
11. Push the unit down to the floor.
12. Tighten screws I to secure the unit to the floor.
13. Tighten screws I to secure the unit to the floor.
14. Push the unit against the wall.
15. Final view of the installed unit.